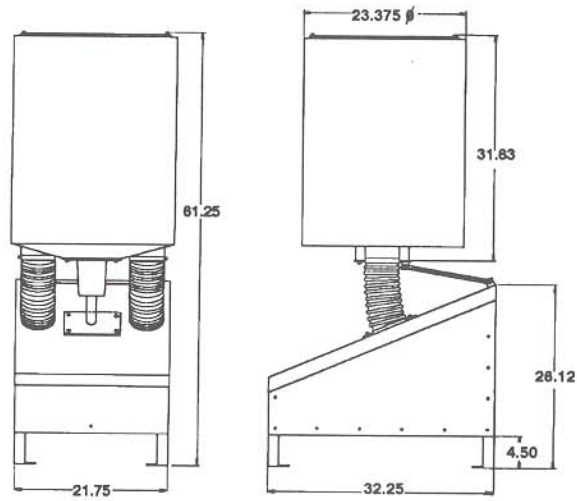
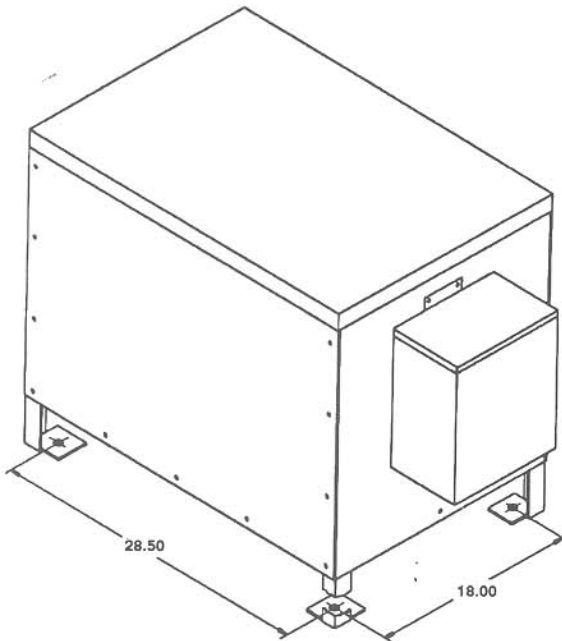


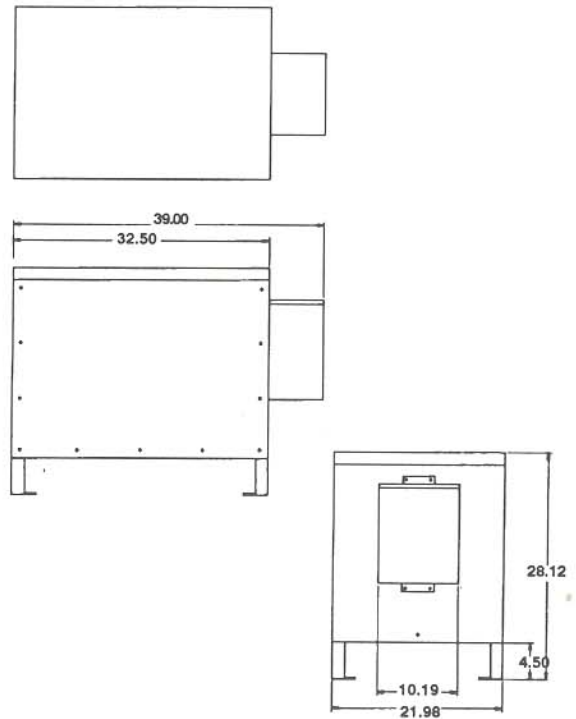
SKY-TRACKER
ST1-C-7000
Motion Assembly



SKY-TRACKER
ST1-C-7000
Motion Assembly



SKY-TRACKER
ST1-C-7000
Power Supply



SKY-TRACKER
ST1-C-7000
Power Supply

MOTION ASSEMBLY**ST1-C-7000****NUMBER OF LAMPHEADS:
ROTATION PATTERN:**1
BEAM ROTATES IN CONICAL MOTION ABOUT
AN AXIS TILTED 22.5° FROM VERTICAL. SOLID
ANGLE OF CONE IS 45°**PEAK BEAM:
BEAM SPREAD:
INPUT POWER:
INPUT VOLTS:
INPUT CURRENT:**600 MILLION
3°
7000 WATTS +/-10%
40-46 VDC
150-160 AMPERES D.C.**DIMENSIONS****HEIGHT:
WIDTH:
DEPTH:
WEIGHT:
MOUNTING BOLT SIZE & PATTERN:**61.25 IN
32.25 IN
23.375 IN (LAMPHEAD)
350 LBS
28.50 X 18.00**COLOR/FINISH****LAMPHEAD HOUSING:
ALL FRAMES:
ENCLOSURE PANELS:**.06 THICK ALUMINUM, WHITE POWDERCOAT
BLACK POWDERCOAT
WHITE POWDERCOAT**COOLING:**

FORCED AIR

**ALL CONTROLS AND MONITORING ARE
MOUNTED ON A RECESSED CONTROL PANEL
CONTROLS:**LIGHT ON/OFF SWITCH
MANUAL IGNITION SWITCH
SYSTEM SELECT SWITCH ON/OFF/REMOTE
MOTION ON/OFF SWITCH
MOTION ROTATION DIRECTION SWITCH
MOTION SPEED CONTROL**MONITORING:**

HOUR METER, D.C. AMP METER

OPERATING CONDITIONS**TEMPERATURE:
COOLING:**32-105°F AT RATED POWER
FORCED AIR**POWER SUPPLY****INPUT POWER****PHASE & FREQUENCY:
INPUT VOLTS:
INPUT CURRENT:**THREE PHASE, 60Hz*
208/240/380 VAC
35/30/20 AMPERES PER PHASE**INPUT POWER WIRE SIZE & NUMBER****PRIMARY LINE:
D.C. OUTPUT:**#8 GAUGE MINIMUM
2/0**OUTPUT POWER RATING****OUTPUT VOLTAGE:
OUTPUT CURRENT:
OUTPUT POWER:**40-50 VDC
100-160 AMPERES D.C.
5000-7000 WATTS**DIMENSIONS & WEIGHTS****WEIGHT:
HEIGHT:
WIDTH:
DEPTH:**305 LBS
28.12 IN
39.00 IN
21.98 IN